

# FUJITSU



## FH\*\*ELV Series

Constant CFM Motor (ECM)  
Electronic Expansion Valve (EEV)  
Efficiencies up to 20.5 SEER

Manufactured for  
**Fujitsu General America, Inc.**  
Fairfield, NJ



# FUJITSU HIGH EFFICIENCY MODULATING ECONET ENABLED AIR HANDLER

## Features

- The FH\*\*ELV is EcoNet enabled: This allows the FH\*\*ELV to directly communicate with the EcoNet Smart Home System.
- The FH\*\*ELV features an Electronic Expansion Valve (EEV)
- Features a constant CFM variable speed motor (ECM) which provides enhanced SEER performance.
- Evaporator is constructed of aluminum fins bonded to internally grooved aluminum tubing.
- Versatile 4-way convertible design for upflow, downflow, horizontal left and horizontal right applications.
- Factory-installed indoor coil.
- Sturdy cabinet construction with 1.0 inch [25.4 mm] of foil faced insulation for excellent sound and insulating characteristics.
- Field-installed auxiliary electric heater kits provide exact heat for indoor comfort. Kits include circuit breakers which meet U.L. and cUL requirements for service disconnect.
- 1 1/2 ton [5.3 kW] through 5 ton [17.6 kW] models are between 42 1/2 to 57 inches [1080 to 1448 mm] tall and 22 inches [559 mm] deep.
- All models meet or exceed 330 to 400 CFM [156 to 189 L/s] per ton at .3 inches [.7 kPa] of external static pressure.
- Enhanced airflow up to .7" external static pressure.
- Suitable for application in mobile homes.
- Cabinet air leakage less than 2.0% at 1.0 inch H<sub>2</sub>O when tested in accordance with ASHRAE Standard 193.

## TABLE OF CONTENTS

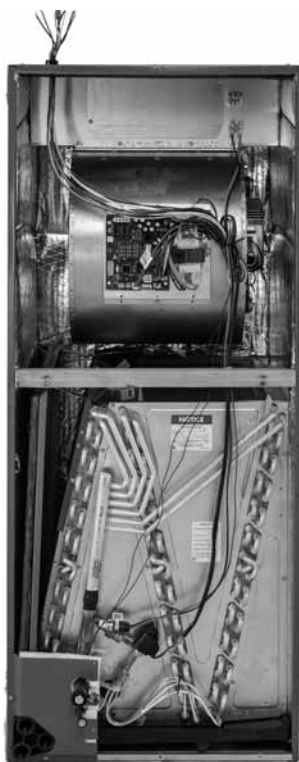
Engineering Features .....	3
Model Number Identification .....	4
Dimensional Data .....	5-6
Airflow Directional Data .....	7
Airflow Performance Data .....	8-14
Electrical Data.....	15-18
Electrical Wiring.....	19
Accessories.....	19
Limited Warranty .....	20

## Engineering Features

### FH\*\*ELV- Series

- Equipped standard with a EcoNet Air Handler control board that allows it to directly communicate with the EcoNet Control Center. The EcoNet Control Center serves as the hub of communication for a home's Heating, Cooling, and Water Heating systems, and is required to operate an Econet Enabled Heating and Cooling system in fully communicating mode.
- Equipped with an electronic expansion valve (EEV), which can intelligently change the EEV position based on system demands. By the measurement of the suction pressure via the vapor line pressure transducer (factory installed) and the vapor line thermistor (field connected to the vapor line, but factory provided within the air handler) the EcoNet enabled air handler control calculates the suction superheat at the indoor coil. This calculation permits the air handler control to make decisions for when to open and close the EEV for the purpose of maintaining a predetermined suction superheat. The EEV is equipped with a 4-pole removable external stator, and inlet and outlet chatleff fittings for optimal serviceability. These valves also have an internal check valve to provide heat pump compatibility. When operating in heating mode, the air handler control will open the EEV completely to permit the check valve to operate and maximize reverse refrigerant flow.
- The most compact unit design available, all standard heat air handler models only 42<sup>1</sup>/<sub>2</sub> to 57 inches [1079 to 1448 mm] high.
- Attractive pre-painted cabinet exterior.
- Rugged wall steel cabinet construction, designed for added strength and versatility.
- 1.0" foil faced insulation mechanically retained in blower compartment for excellent thermal and sound performance.
- Four leg blower motor mount.
- Blower housing with controls, motor and blower. Slide out design for service and maintenance convenience.
- Traditional open wire element design for heat applications.
- Field convertible for vertical downflow, horizontal left hand or right hand air supply.
- 3 combustible floor base accessories fit all model sizes when required for downflow installations on combustible floors.
- Indoor coil design provides low air side pressure drop, high performance and extremely compact size.
- Coils are constructed of aluminum fins bonded to internally grooved aluminum tubing.
- Coils are tested at the factory with an extensive refrigerant leak check.
- Coils have copper sweat refrigerant connections.
- Coils utilize chatleff metering device connections.
- Molded polymer corrosion resistant condensate drain pan is provided on all indoor coils.
- Supply duct flanges provided as standard on air handler cabinet.
- Provisions for field electrical, connections available from either side or top of the air handler cabinet.
- Connection point for high voltage wiring is inside the air handler cabinet. Low voltage connection is made on the outside of the air handler cabinet.
- Concentric knockouts are provided for power connection to cabinet. Installer may pull desired hole size up to 2 inches [51 mm] for 1<sup>1</sup>/<sub>2</sub> inch [38 mm] conduit.
- Front refrigerant and drain connections.

[ ] Designates Metric Conversions



Model Number Identification  
**FH\*\*ELV Series**

<u>FH</u>	<u>24</u>	<u>17</u>	<u>E</u>	<u>L</u>	<u>V</u>	<u>J</u>	<u>S</u>	<u>C</u>
Product	Capacity	Width	Metering Device	Motor	Speed	Volt	Efficiency	
Air Handler	24 = 24,000 [7.03 kW]	17"	E = EEV	L = ECM	V = Variable	J = 208/230 1ph	S = Standard	C = Communicating
FH = H Series	36 = 36,000 [10.55 kW]	21"					M = Medium	
	60 = 60,000 [17.58 kW]	24"					H = High	
							U = Ultra	

[ ] Designates Metric Conversions

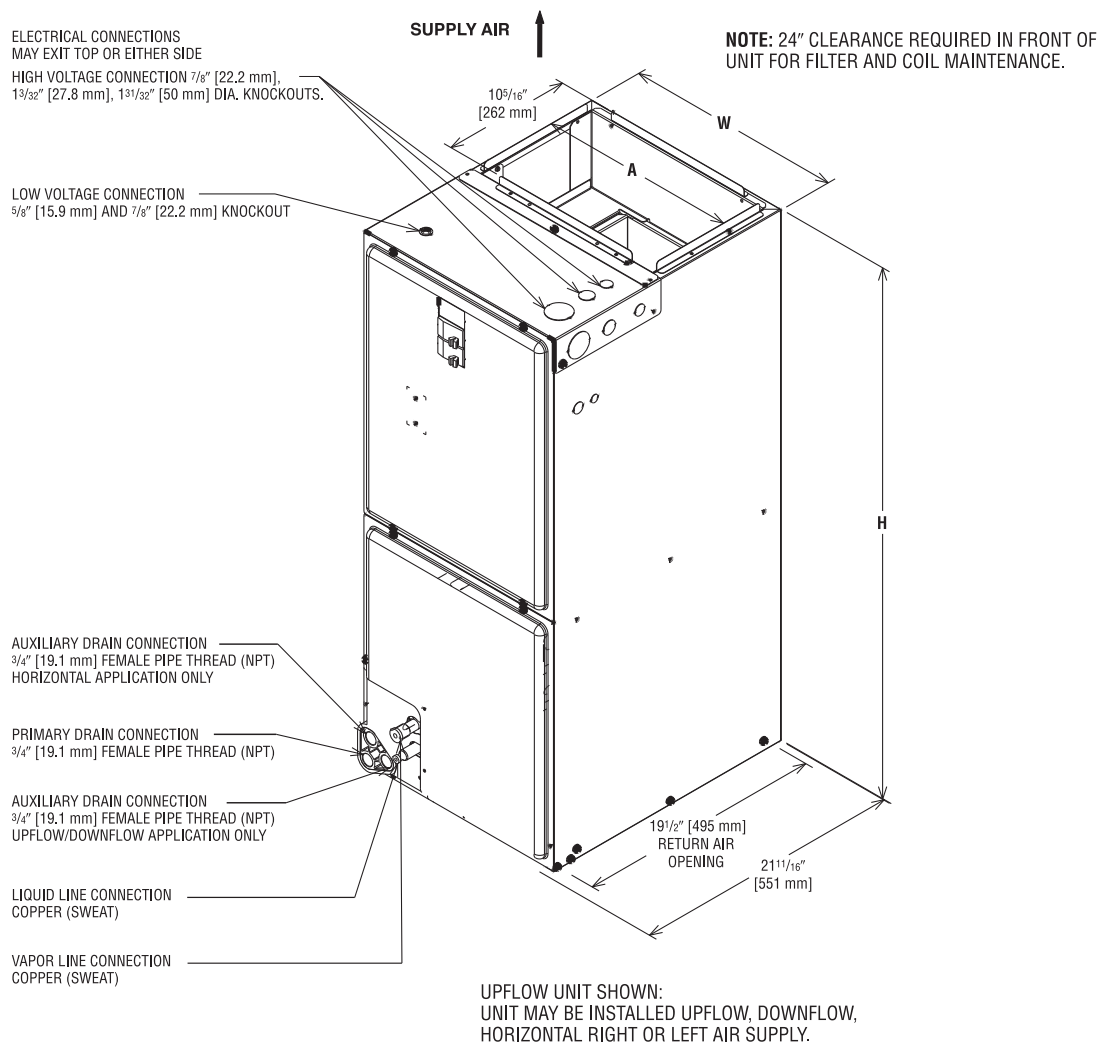
<b>Available Models at J Voltage</b>
FH2417ELVJSC
FH3617ELVJSC
FH2421ELVJHC
FH2421ELVJMC
FH3617ELVJMC
FH6021ELVJSC
FH6024ELVJMC
FH2421ELVJUC

## Unit Dimensions

### Return Air Opening Dimensions

Model Cabinet Size	Return Air Opening Width (Inches)	Return Air Opening Depth/Length (Inches)
17	15 <sup>7</sup> / <sub>8</sub>	19 <sup>3</sup> / <sub>4</sub>
21	19 <sup>3</sup> / <sub>8</sub>	19 <sup>3</sup> / <sub>4</sub>
24	22 <sup>7</sup> / <sub>8</sub>	19 <sup>3</sup> / <sub>4</sub>

[ ] Designates Metric Conversions



### Unit Dimensions & Weights

Model Size FH**ELV	Refrigerant Connections Sweat (In.) [mm] ID		Unit Height H In. [mm]	Unit Width W In. [mm]	Supply Duct A In. [mm]	Air Flow CFM (Nom.) [L/s]			Unit Weight/Shipping Weight (Lbs.) [kg]  Unit With Coil (Max. KW)
	Liquid	Vapor				Fan	Lo	Hi	
2417	3/8 [9.53]	3/4 [19.05]	42 1/2 [1080]	17 1/2 [444.5]	16 [406.4]	550	550	750	92/106 [42/48]
2421****M	3/8 [9.53]	3/4 [19.05]	42 1/2 [1080]	21 [533.4]	19 1/2 [495.3]	310	460	835	111/126 [50/57]
2421****H	3/8 [9.53]	7/8 [22.23]	55 1/2 [1410]	21 [533.4]	19 1/2 [495.3]	325	580	850	130/146 [59/66]
3617	3/8 [9.53]	3/4 [19.05]	42 1/2 [1080]	17 1/2 [444.5]	16 [406.4]	660	660	1235	96/110 [44/50]
6021	3/8 [9.53]	7/8 [22.23]	57 [1448]	21 [533.4]	19 1/2 [495.3]	480	830	1565	141/153 [64/69]
6024	3/8 [9.53]	7/8 [22.23]	55 1/2 [1410]	24 1/2 [622.3]	23 [584.0]	555	890	1665	161/178 [73/81]

\*Maximum dehumidification airflow.

# Unit Dimensions

FIGURE 6  
VERTICAL DOWNFLOW & HORIZONTAL RIGHT APPLICATION

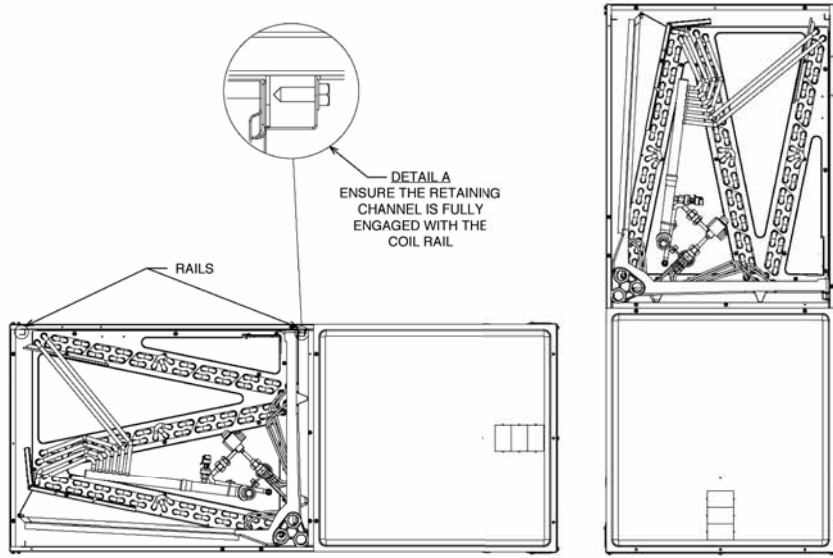
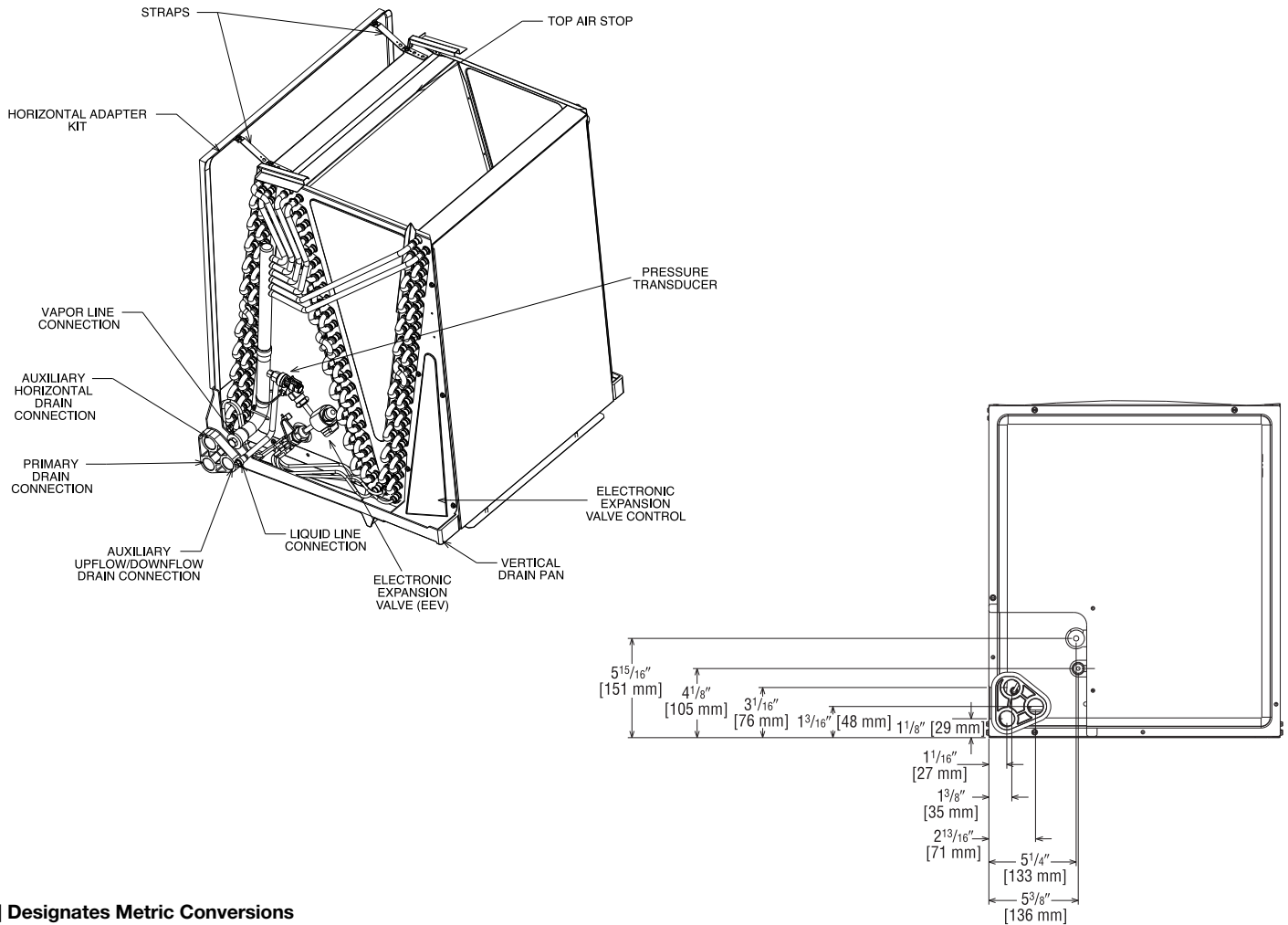
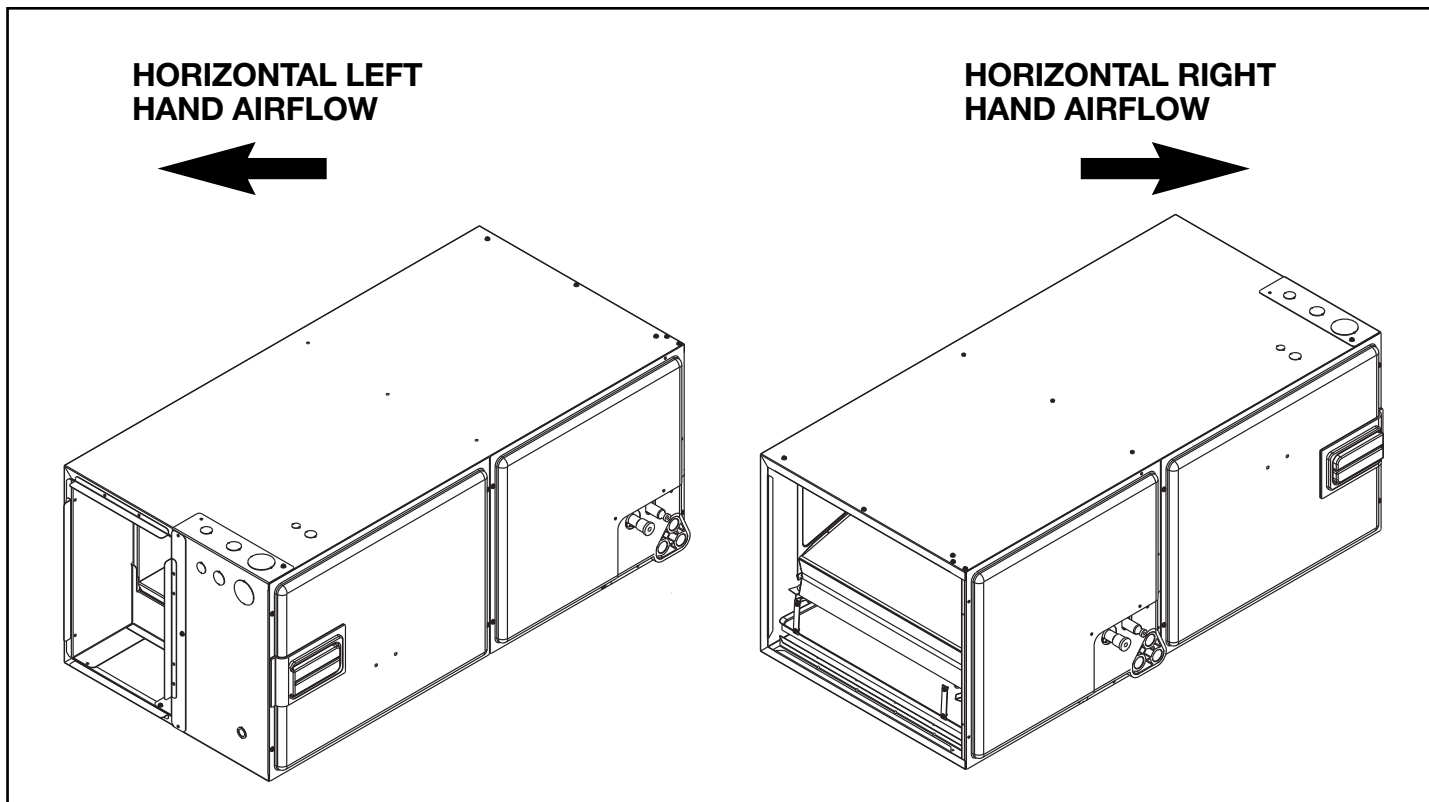
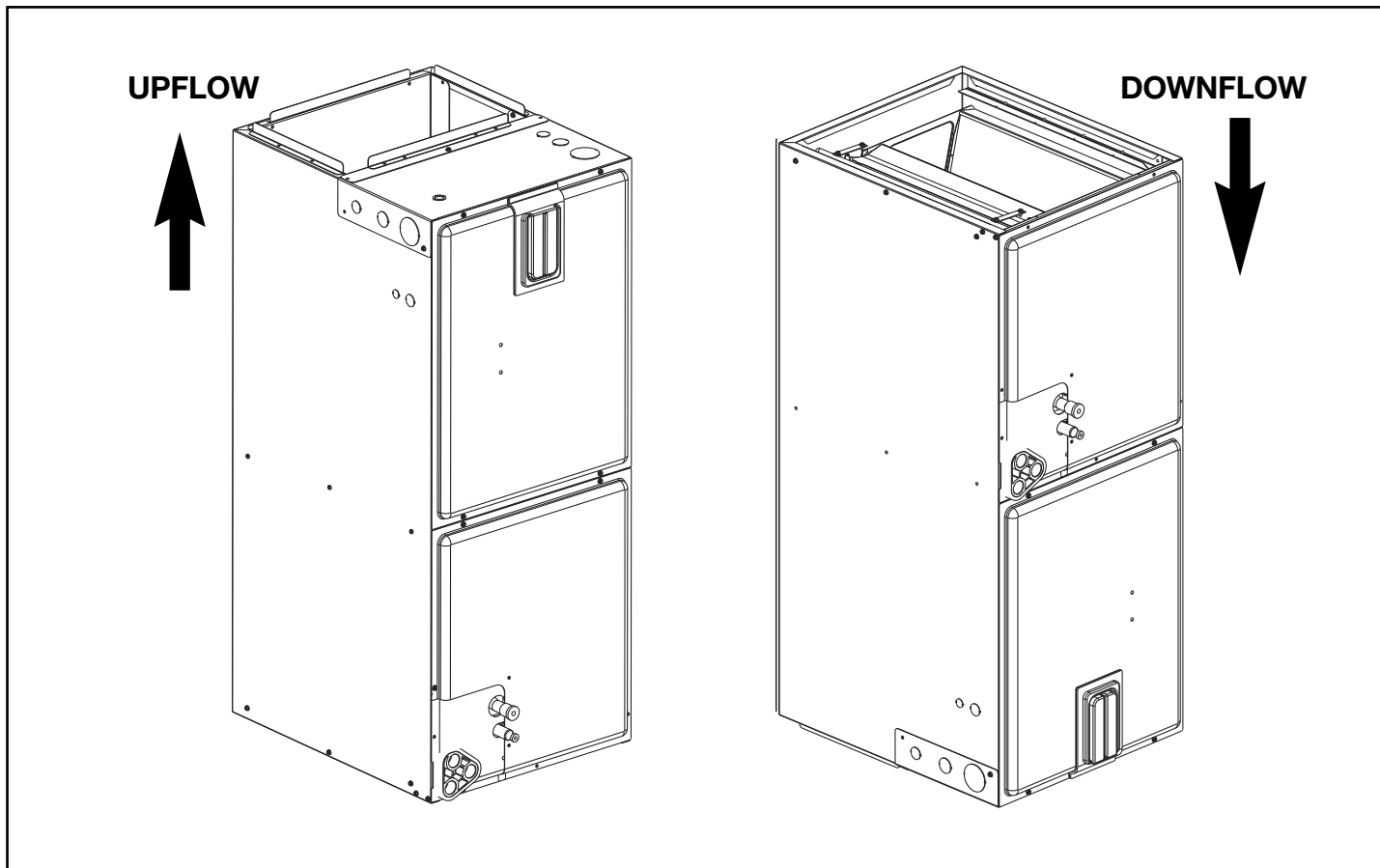


FIGURE 7  
INDOOR COIL AND DRAIN PAN SET-UP



[ ] Designates Metric Conversions

### Airflow Directional Data



## Airflow Performance

**Airflow performance data is based on cooling performance with a coil and no filter in place.** Select performance table for appropriate unit size, voltage and number of electric heaters to be used. Make sure external static applied to unit allows operation within the minimum and maximum limits shown in table

below for both cooling and electric heat operation. For optimum blower performance, operate the unit in the .3 [8 mm] to .7 inches [18 mm] W.C. external static range. Units with coils should be applied with a minimum of .1 inch [3 mm] W.C. external static range.

## Airflow Operating Limits

Model Cabinet Width	17/21	17/21	21	24
Cooling BTUH x 1,000	-24	-36	-48/-60	-60
Cooling Tons Nominal	2	3	4	5
Heat Pump or Air Conditioning Maximum Heat/Cool CFM [L/s] (37.5 CFM [18 L/s]/1,000 BTUH) (450 CFM [212 L/s]/Ton Nominal)	900 [425]	1350 [637]	1800 [850]	1930 [911]
Heat Pump or Air Conditioning Nominal Heat/Cool CFM [L/s] (33.3 CFM [16 L/s]/1,000 BTUH) (400 CFM [189 L/s]/Ton Nominal)	800 [378]	1200 [566]	1600 [755]	1800 [850]
Heat Pump or Air Conditioning Minimum Heat/Cool CFM [L/s] (30.0 CFM [14 L/s]/1,200 BTUH) (360 CFM [170 L/s]/Ton Nominal)	720 [340]	1080 [510]	1440 [680]	1620 [765]
Maximum kW Electric Heating & Minimum Electric Heat CFM [L/s]	13 617 [291]	18 1054 [497]	25 1502 [709]	30 1666 [786]
Maximum Electric Heat Rise °F [°C]	63 [17.2]	51 [10.6]	50 [10]	54 [12.2]

[ ] Designates Metric Conversions



### 208V/240V Airflow Performance Data—FH\*\*ELV (Constant CFM (ECM) Motor)

Air Handler FH**ELV	Outdoor Unit	Nominal Cooling Capacity Tons	Cabinet Size	Blower		Nominal Airflow CFM**	CFM [L/s] Air Delivery / RPM / Watts (No Filter)														
				Size Motor HP	Unit Operation		External Static Pressure - Inches W.C. [kPa] 230 VAC														
							0.1 [0.02]	0.2 [0.05]	0.3 [0.07]	0.4 [0.10]	0.5 [0.12]	0.6 [0.15]	0.7 [0.17]	0.8 [0.20]	0.9 [0.22]	1.0 [0.25]					
2417 No Heat	(-)P1724	2	17	10 x 8 1/3	High Stage (Y2)	750	751 [354]	569	76	94	652	760 [359]	765 [361]	727	797	767 [362]	764 [360]	759 [358]	752 [355]	745 [351]	736 [347]
						540	554 [262]	498	49	60	587	548 [259]	671	750	538 [254]	532 [251]	526 [248]	521 [246]	516 [244]	513 [242]	
						540	554 [262]	498	49	60	587	548 [259]	671	750	538 [254]	532 [251]	526 [248]	521 [246]	516 [244]	513 [242]	
						750	756 [357]	609	85	103	763 [360]	766 [362]	767 [362]	831	894	952	1006	1056	1100	1139	
						540	553 [261]	543	55	67	630	711	787	92	106	855	920	977	1030	1117	
						540	553 [261]	543	55	67	630	711	787	92	106	855	920	977	1030	1117	
2421****M with 13kW Heater	(-)P1724	2	17	10 x 8 1/3	High Stage (Y2)	835	859 [405]	554	85	106	634	706	882 [416]	887 [419]	889 [419]	888 [419]	900	955	1004	1049	1088
						460	441 [208]	625	90	101	735	837	929	1012	1084	1151	1204	1251	1287		
						310	291 [137]	381	21	33	492	593	686	686	769	841	907	961	1008	1044	
						835	867 [409]	594	95	116	672	742	809	872	928	981	1027	1069	1106		
						460	447 [211]	681	96	107	787	884	972	1050	1118	1179	1228	1270	1302		
						310	297 [140]	438	27	38	544	641	728	807	874	936	985	1027	1059		
2421****M with 13kW Heater	(-)A2024	2	21	10 x 8 1/3	High Stage (Y2)	835	867 [409]	594	95	116	672	742	809	872	928	981	1027	1069	1106	1139	
						460	447 [211]	681	96	107	787	884	972	1050	1118	1179	1228	1270	1302		
						310	291 [137]	381	21	33	492	593	686	686	769	841	907	961	1008	1044	
						835	867 [409]	594	95	116	672	742	809	872	928	981	1027	1069	1106		
						460	447 [211]	681	96	107	787	884	972	1050	1118	1179	1228	1270	1302		
						310	297 [140]	438	27	38	544	641	728	807	874	936	985	1027	1059		

[ ] Designates Metric Conversions

**208V/240V Airflow Performance Data—FH\*\*ELV (Constant CFM (ECM) Motor) (Cont.)**

Air Handler FH**ELV	Outdoor Unit	Nominal Cooling Capacity Tons	Cabinet Size	Blower		Nominal Airflow CFM**	CFM [L/s] Air Delivery / RPM / Watts (No Filter)									
				Size Motor HP	Unit Operation		External Static Pressure - Inches W.C. [kPa] 230 VAC									
							0.1 [0.2]	0.2 [0.05]	0.3 [0.07]	0.4 [0.10]	0.5 [0.12]	0.6 [0.15]	0.7 [0.17]	0.8 [0.20]	0.9 [0.22]	1.0 [0.25]
2421***H No Heat	(-)P2024	2	21	10 x 10 1/2	High Stage (Y2)	855	861 [406]	872 [411]	876 [413]	875 [413]	870 [410]	860 [406]	846 [399]	830 [392]	811 [383]	790 [373]
						855	568	649	727	805	876	941	996	1045	1082	
						928	938	943	942	936	927	913	897	878	856	
						580	615 [290]	626 [296]	629 [297]	616 [291]	602 [284]	588 [277]	570 [269]	554 [261]	540 [255]	
						580	414	548	657	739	806	861	907	955	1005	1064
						325	31	53	74	93	110	127	143	160	177	194
						325	344 [162]	334 [158]	325 [153]	315 [148]	305 [144]	295 [139]	285 [135]	276 [130]	268 [127]	262 [123]
						825	430	539	633	715	785	851	911	966	1020	1074
						825	25	36	47	58	69	81	93	106	119	133
						665	687 [325]	703 [332]	707 [334]	702 [331]	691 [326]	675 [319]	658 [311]	641 [303]	627 [296]	619 [292]
565	428	554	655	739	810	870	920	968	1014	1061						
565	34	60	83	104	124	143	160	178	197	216						
855	581 [274]	575 [271]	569 [268]	563 [266]	557 [263]	552 [261]	548 [258]	544 [257]	542 [256]	540 [255]						
580	620	736	834	916	986	1048	1104	1157	1211	1269						
580	88	102	116	129	143	157	171	186	203	222						
580	867 [409]	874 [413]	876 [414]	873 [412]	865 [408]	853 [403]	838 [396]	821 [388]	801 [378]	778 [367]						
580	525	608	689	766	841	910	971	1021	1064	1096						
580	934	941	943	940	932	920	905	888	868	845						
580	622 [293]	629 [297]	628 [296]	621 [293]	610 [288]	595 [281]	579 [273]	562 [265]	547 [258]	534 [252]						
580	485	604	701	774	834	886	930	979	1033	1098						
580	42	64	84	102	119	136	151	168	185	202						
325	339 [160]	330 [156]	320 [151]	310 [146]	300 [142]	290 [137]	281 [132]	272 [129]	265 [125]	258 [122]						
325	486	588	675	752	818	881	939	993	1047	1103						
325	30	41	52	63	75	87	99	112	126	140						
825	847 [400]	859 [405]	859 [406]	852 [402]	839 [396]	821 [388]	804 [379]	787 [372]	776 [366]	770 [363]						
825	571	670	758	837	906	971	1022	1069	1106	1137						
825	830	841	842	835	821	804	787	770	758	753						
665	697 [329]	706 [333]	705 [333]	697 [329]	683 [323]	667 [315]	650 [307]	634 [299]	622 [294]	617 [291]						
665	492	608	700	776	841	896	944	991	1037	1086						
665	47	72	94	114	133	152	169	188	206	226						
565	578 [273]	572 [270]	566 [267]	560 [264]	555 [262]	550 [259]	546 [258]	543 [256]	541 [255]	540 [255]						
565	680	787	877	952	1017	1076	1131	1184	1240	1301						
565	95	109	123	136	149	164	179	195	212	232						

[ ] Designates Metric Conversions

**208V/240V Airflow Performance Data—FH\*\*ELV (Constant CFM (ECM) Motor) (Cont.)**

Air Handler FH**ELV	Outdoor Unit	Nominal Cooling Capacity Tons	Cabinet Size	Blower		Nominal Airflow CFM**	CFM [L/s] Air Delivery / RPM / Watts (No Filter)												
				Size Motor HP	Unit Operation		External Static Pressure - Inches W.C. [kPa] 230 VAC												
							0.1 [0.2]	0.2 [0.05]	0.3 [0.07]	0.4 [0.10]	0.5 [0.12]	0.6 [0.15]	0.7 [0.17]	0.8 [0.20]	0.9 [0.22]	1.0 [0.25]			
3617 No Heat	(-)P1736	3	17	10 x 8 1/3	High Stage (Y2)	1235	1228 [580]	817	971	1226 [579]	1231 [581]	1234 [582]	1232 [582]	1060	1101	1223 [577]	1204 [568]	1139	1174
						660	666 [314]	231	308	687 [324]	686 [324]	681 [322]	675 [318]	354	376	667 [315]	658 [311]	397	416
						660	472	558	629	700	766	828	885	937	984	1028			
						660	44	61	78	96	113	130	148	165	182	200			
						660	666 [314]	679 [320]	685 [323]	687 [324]	686 [324]	681 [322]	675 [318]	667 [315]	658 [311]	650 [307]			
						660	472	553	629	700	766	828	885	937	984	1028			
3617 with 13kW Heater	(-)P1736	3	17	10 x 8 1/3	High Stage (Y2)	1235	1224 [578]	845	995	1229 [580]	1233 [582]	1234 [582]	1229 [580]	1081	1120	1215 [574]	1189 [561]	1157	1191
						660	673 [318]	591	734	687 [324]	684 [323]	678 [320]	671 [317]	663 [313]	654 [309]	646 [305]			
						660	52	70	87	104	122	139	156	174	191	209			
						660	673 [318]	683 [322]	687 [324]	684 [323]	678 [320]	671 [317]	663 [313]	654 [309]	646 [305]				
						660	513	591	665	734	798	857	911	961	1007	1048			
						660	52	70	87	104	122	139	156	174	191	209			
6021 No Heat	(-)P2048 Cool	4	21	10 x 10 1/2	High Stage (Y2)	1660	1655 [781]	872	1085	1704 [804]	1739 [821]	1763 [832]	1771 [836]	1184	1228	1748 [825]	1689 [797]	1582 [746]	
						890	896 [423]	688	779	860	861 [407]	844 [398]	829 [391]	817 [385]	812 [383]				
						890	104	129	153	175	197	216	235	253	271	287			
						890	588	668	749	830	911	991	1045	1087	1123	1148			
						890	644 [304]	632 [298]	622 [294]	611 [289]	601 [284]	589 [278]	574 [271]	554 [262]	530 [250]	499 [236]			
						890	446	536	616	697	765	826	881	929	969	1003			
6021 No Heat	(-)P2048 Heat	4	21	10 x 10 1/2	High Stage (Y2)	1600	1576 [744]	57	76	1641 [774]	1666 [786]	1657 [782]	1694 [799]	1169	1225	1702 [802]	1615 [762]		
						855	794	886	917	969	1040	1120	1169	1225	1275	1301			
						855	291	353	361	419	489	553	601	660	715	693			
						855	861 [407]	869 [410]	867 [409]	857 [405]	843 [398]	826 [390]	809 [382]	794 [375]	782 [369]	777 [367]			
						855	560	661	751	833	904	964	1017	1060	1096	1121			
						855	90	114	138	161	182	201	221	238	256	272			
530	Low Stage (Y1)	530	577 [273]	533 [251]	492 [232]	454 [214]	—	—	—	—	—	—	—	—	—	—	—	—	
		530	442	542	629	698	—	—	—	—	—	—	—	—	—	—	—	—	
		530	39	51	662	72	—	—	—	—	—	—	—	—	—	—	—	—	

[ ] Designates Metric Conversions

**208V/240V Airflow Performance Data—FH\*\*ELV (Constant CFM (ECM) Motor) (Cont.)**

Air Handler FH**ELV	Outdoor Unit	Nominal Cooling Capacity Tons	Cabinet Size	Blower		Nominal Airflow CFM**	CFM [L/s] Air Delivery / RPM / Watts (No Filter)										
				Size Motor HP	Unit Operation		External Static Pressure - Inches W.C. [kPa] 230 VAC										
							0.1 [0.2]	0.2 [0.05]	0.3 [0.07]	0.4 [0.10]	0.5 [0.12]	0.6 [0.15]	0.7 [0.17]	0.8 [0.20]	0.9 [0.22]	1.0 [0.25]	
6021 No Heat	(-)A2048	4	21	10 x 10 3/4	High Stage (Y2)	1565	1541 [727]	1550 [732]	1572 [742]	1595 [753]	1620 [765]	1643 [776]	1657 [782]	1686 [782]	1636 [772]	1594 [752]	1295
					Int. Stage (Y1*)	835	841 [397]	849 [401]	847 [400]	837 [395]	823 [388]	806 [381]	789 [372]	774 [365]	762 [360]	757 [357]	1105
					Low Stage (Y1)	595	472 [297]	585 [276]	555 [262]	533 [252]	518 [245]	507 [239]	496 [234]	483 [228]	463 [219]	435 [205]	1042
					High Stage (Y2)	1235	1207 [570]	1233 [582]	1260 [594]	1283 [605]	1301 [614]	1313 [620]	1315 [620]	1303 [615]	1277 [603]	1233 [582]	1285
					Int. Stage (Y1*)	660	472 [318]	662 [312]	652 [308]	641 [303]	631 [298]	619 [292]	604 [285]	584 [276]	560 [264]	529 [250]	1029
	Low Stage (Y1)	470	442 [244]	473 [223]	432 [204]	394 [186]	698	72	—	—	—	—	—	—	—	—	
	High Stage (Y2)	1235	1207 [570]	1233 [582]	1260 [594]	1283 [605]	1301 [614]	1313 [620]	1315 [620]	1303 [615]	1277 [603]	1233 [582]	1285				
	Int. Stage (Y1*)	660	472 [318]	662 [312]	652 [308]	641 [303]	631 [298]	619 [292]	604 [285]	584 [276]	560 [264]	529 [250]	1029				
	Low Stage (Y1)	411	424 [200]	361 [170]	323 [153]	282 [133]	0 [0]	0 [0]	0 [0]	0 [0]	0 [0]	0 [0]	0 [0]	0 [0]	0 [0]	0 [0]	0 [0]
	6021 with 13kW Heater	(-)P2048 Cool	4	21	10 x 10 3/4	High Stage (Y2)	1660	1653 [780]	1663 [785]	1690 [798]	1721 [812]	1753 [827]	1770 [835]	1766 [833]	1723 [813]	1641 [775]	1507 [711]
Int. Stage (Y1*)						890	841 [425]	904 [427]	898 [424]	886 [418]	870 [410]	853 [402]	836 [394]	822 [388]	813 [384]	812 [383]	1158
Low Stage (Y1)						630	492 [301]	627 [296]	617 [291]	606 [286]	595 [281]	582 [274]	565 [266]	543 [256]	516 [243]	481 [227]	1017
High Stage (Y2)						1660	1663 [785]	1690 [798]	1721 [812]	1753 [827]	1770 [835]	1766 [833]	1723 [813]	1641 [775]	1507 [711]	1286	
Int. Stage (Y1*)						890	841 [425]	904 [427]	898 [424]	886 [418]	870 [410]	853 [402]	836 [394]	822 [388]	813 [384]	812 [383]	1158

[ ] Designates Metric Conversions

**208V/240V Airflow Performance Data—FH\*\*ELV (Constant CFM (ECM) Motor) (Cont.)**

Air Handler FH**ELV	Outdoor Unit	Nominal Cooling Capacity Tons	Cabinet Size	Blower		Nominal Airflow CFM**	CFM [L/s] Air Delivery / RPM / Watts (No Filter)									
				Size Motor HP	Unit Operation		External Static Pressure - Inches W.C. [kPa] 230 VAC									
							0.1 [0.2]	0.2 [0.05]	0.3 [0.07]	0.4 [0.10]	0.5 [0.12]	0.6 [0.15]	0.7 [0.17]	0.8 [0.20]	0.9 [0.22]	1.0 [0.25]
6021 with 13kW Heater	(-)P2048 Heat	4	21	10 x 10 3/4	High Stage (Y2)	1600	829	893	962	1019	1076	1135	1193	1240	1291	1336
						855	311	363	420	468	516	568	618	661	708	751
						530	611	707	793	870	936	992	1040	1078	1110	1130
						1565	102	126	149	171	192	211	230	247	264	280
						835	554 [261]	512 [242]	473 [223]	433 [204]	—	—	—	—	—	—
	(-)A2048	4	21	10 x 10 3/4	High Stage (Y2)	1544 [729]	1559 [736]	1584 [748]	1608 [759]	1632 [770]	1651 [779]	1658 [783]	1650 [779]	1618 [764]	1562 [737]	
						810	874	943	1000	1057	1116	1173	1221	1272	1317	
						288	341	397	445	494	545	596	638	686	728	
						847 [400]	849 [401]	843 [398]	831 [392]	815 [384]	798 [376]	781 [368]	767 [362]	758 [358]	757 [357]	
						595	691	777	854	920	976	1025	1063	1094	1114	
(-)P2036	3	21	10 x 10 3/4	High Stage (Y2)	1235	605 [285]	602	679	753	819	879	933	981	1023	1059	
					54	67	81	96	111	126	142	157	174	191		
					660	1220 [576]	1246 [588]	1272 [600]	1293 [610]	1308 [617]	1315 [621]	1311 [619]	1292 [610]	1257 [593]	1204 [568]	
					696	776	855	928	999	1069	1130	1197	1257	1313		
					171	210	250	290	331	374	414	462	506	552		
(-)P2036	3	21	10 x 10 3/4	Int. Stage (Y1*)	660	668 [315]	657 [310]	647 [305]	636 [300]	625 [295]	612 [289]	595 [281]	573 [270]	546 [257]	511 [241]	
					518	604	681	758	823	880	931	976	1013	1043		
					55	75	93	113	130	147	164	180	195	209		
					494 [233]	452 [213]	413 [195]	373 [176]	—	—	—	—	—	—	—	
					495	587	666	727	—	—	—	—	—	—	—	
(-)P2036	3	21	10 x 10 3/4	Low Stage (Y1)	470	45	57	67	77	—	—	—	—	—	—	
					1235	1220 [576]	1246 [588]	1272 [600]	1293 [610]	1308 [617]	1315 [621]	1311 [619]	1292 [610]	1257 [593]	1204 [568]	
					660	696	776	855	928	999	1069	1130	1197	1257	1313	
					171	210	250	290	331	374	414	462	506	552		
					668 [315]	657 [310]	647 [305]	636 [300]	625 [295]	612 [289]	595 [281]	573 [270]	546 [257]	511 [241]		
(-)P2036	3	21	10 x 10 3/4	Int. Stage (Y1*)	660	518	604	681	758	823	880	931	976	1013	1043	
					55	75	93	113	130	147	164	180	195	209		
					387 [183]	341 [161]	305 [144]	250 [118]	—	—	—	—	—	—	—	
					507	592	669	733	—	—	—	—	—	—	—	
					40	48	58	68	—	—	—	—	—	—	—	

[ ] Designates Metric Conversions

**208V/240V Airflow Performance Data—FH\*\*ELV (Constant CFM (ECM) Motor) (Cont.)**

Air Handler FH**ELV	Outdoor Unit	Nominal Cooling Capacity Tons	Cabinet Size	Blower		Nominal Airflow CFM**	CFM [L/s] Air Delivery / RPM / Watts (No Filter)									
				Size Motor HP	Unit Operation		External Static Pressure - Inches W.C. [kPa] 230 VAC									
							0.1 [0.2]	0.2 [0.05]	0.3 [0.07]	0.4 [0.10]	0.5 [0.12]	0.6 [0.15]	0.7 [0.17]	0.8 [0.20]	0.9 [0.22]	1.0 [0.25]
6024 No Heat	(-)A2060/ (-)P2060	5	24	11 x 11 3/4	High Stage (Y2)	1670	1640 [774]	1673 [790]	1695 [800]	1710 [807]	1712 [808]	1703 [804]	1681 [794]	1647 [777]	1599 [755]	1539 [726]
						609	681	744	810	858	915	962	1002	1038	1068	
						230	296	356	421	471	534	589	641	690	736	
						773 [365]	779 [368]	779 [368]	773 [365]	763 [360]	751 [354]	737 [348]	723 [341]	710 [335]	699 [330]	
						406	480	549	614	674	729	779	826	867	903	
						50	70	91	113	135	158	181	205	229	254	
6024 with 13kW Heater	(-)A2060/ (-)P2060	5	24	11 x 101 3/4	Int. Stage (Y1*)	500	538 [254]	497 [235]	430 [203]	—	—	—	—	—	—	—
						371	462	536	—	—	—	—	—	—	—	
						35	49	59	—	—	—	—	—	—	—	
						1657 [782]	1686 [796]	1704 [804]	1712 [808]	1710 [807]	1694 [800]	1666 [786]	1625 [767]	1570 [741]	1503 [709]	
						645	714	775	838	884	938	983	1020	1054	1081	
						262	327	387	450	500	561	615	665	714	758	
6024 with 13kW Heater	(-)A2060/ (-)P2060	5	24	Low Stage (Y1)	755	777 [367]	780 [368]	776 [366]	769 [363]	757 [357]	744 [351]	730 [345]	716 [338]	704 [332]	695 [328]	
					444	515	582	644	702	755	803	847	886	919		
					60	81	102	124	146	169	192	217	242	267		
					520 [245]	468 [221]	380 [180]	—	—	—	—	—	—	—		
					418	500	569	—	—	—	—	—	—	—		
					42	54	65	—	—	—	—	—	—	—		

[ ] Designates Metric Conversions

## Electrical Data – With Electric Heat FH\*\*ELV

Installation of the U.L. Listed original equipment manufacturer provided heater kits listed in the following table is recommended for all auxiliary heating requirements.

Air Handler Model FH**ELV	Heater Kit Model	Heater kW	PH/HZ	No. Elements kW Per Element	Circuit	Circuit Amps.	Motor Ampacity	Minimum Circuit Ampacity	Maximum Circuit Protection
2417	RXBH-17?03J	2.2/3	1/60	1 - 3	SINGLE	10.8/12.5	2.7	17/19	20/20
	RXBH-1724?05J	3.6/4.8	1/60	1 - 4.8	SINGLE	17.3/20	2.7	25/29	25/30
	RXBH-1724?07J	5.4/7.2	1/60	2 - 3.6	SINGLE	26/30	2.7	36/41	40/45
	RXBH-1724?10J	7.2/9.6	1/60	2 - 4.8	SINGLE	34.6/40	2.7	47/54	50/60
	RXBH-1724A10C	7.2/9.6	3/60	3 - 3.2	SINGLE	20/23.1	2.7	29/33	30/35
	RXBH-1724A13J	9.4/12.5	1/60	3 - 4.17	SINGLE	45.1/52.1	2.7	60/69	60/70
	RXBH-1724A13J	3.1/4.2	1/60	1 - 4.17	MULTIPLE CKT 1	15/17.4	2.7	23/26	25/30
	RXBH-1724A13J	6.3/8.3	1/60	2 - 4.17	MULTIPLE CKT 2	30.1/34.7	0	38/44	40/45
2421****H	RXBH-1724?05J	3.6/4.8	1/60	1 - 4.8	SINGLE	17.3/20	4.3	27/31	30/35
	RXBH-1724?07J	5.4/7.2	1/60	2 - 3.6	SINGLE	26/30	4.3	38/43	40/45
	RXBH-1724?10J	7.2/9.6	1/60	2 - 4.8	SINGLE	34.6/40	4.3	49/56	50/60
	RXBH-1724A10C	7.2/9.6	3/60	3 - 3.2	SINGLE	20/23.1	4.3	31/35	35/35
	RXBH-1724A15C	10.8/14.4	3/60	3 - 4.8	SINGLE	30/34.6	4.3	43/49	45/50
	RXBH-1724A15J	10.8/14.4	1/60	3 - 4.8	SINGLE	51.9/60	4.3	71/81	80/90
	RXBH-1724A15J	3.6/4.8	1/60	1 - 4.8	MULTIPLE CKT 1	17.3/20	4.3	28/31	30/35
	RXBH-1724A15J	7.2/9.6	1/60	2 - 4.8	MULTIPLE CKT 2	34.6/40	0	44/50	45/50
	RXBH-1724A18J	12.8/17	1/60	3 - 5.67	SINGLE	61.6/70.8	4.3	83/94	90/100
	RXBH-1724A18J	4.3/5.7	1/60	1 - 5.67	MULTIPLE CKT 1	20.5/23.6	4.3	32/35	35/35
	RXBH-1724A18J	8.5/11.3	1/60	2 - 5.67	MULTIPLE CKT 2	41.1/47.2	0	52/60	60/60
	RXBH-24A20C	14.4/19.2	3/60	6 - 3.2	SINGLE	40/46.2	4.3	56/64	60/70
	RXBH-24A20C	7.2/9.6	3/60	3 - 3.2	MULTIPLE CKT 1	20/23.1	4.3	31/35	35/35
	RXBH-24A20C	7.2/9.6	3/60	3 - 3.2	MULTIPLE CKT 2	20/23.1	0	25/29	25/30
	RXBH-24A20J	14.4/19.2	1/60	4 - 4.8	SINGLE	69.2/80	4.3	92/106	100/110
	RXBH-24A20J	7.2/9.6	1/60	2 - 4.8	MULTIPLE CKT 1	34.6/40	4.3	49/56	50/60
	RXBH-24A20J	7.2/9.6	1/60	2 - 4.8	MULTIPLE CKT 2	34.6/40	0	44/50	45/50
	RXBH-24A25C	18/24	3/60	6 - 4	SINGLE	50/57.8	4.3	68/78	70/80
	RXBH-24A25C	9/12	3/60	3 - 4	MULTIPLE CKT 1	25/28.9	4.3	37/42	40/45
	RXBH-24A25C	9/12	3/60	3 - 4	MULTIPLE CKT 2	25/28.9	0	32/37	35/40
	RXBH-24A25J	18/24	1/60	6 - 4	SINGLE	86.4/99.9	4.3	114/131	125/150
	RXBH-24A25J	6/8	1/60	2 - 4	MULTIPLE CKT 1	28.8/33.3	4.3	42/47	45/50
	RXBH-24A25J	6/8	1/60	2 - 4	MULTIPLE CKT 2	28.8/33.3	0	37/42	40/45
	RXBH-24A25J	6/8	1/60	2 - 4	MULTIPLE CKT 3	28.8/33.3	0	37/42	40/45

**NOTES:**

\* Values only. No single point kit available.

- Electric heater BTUH - (heater watts + motor watts) x 3.414 (see airflow table for motor watts.)
- Supply circuit protective devices may be fuses or "HACR" type circuit breakers.
- Largest motor load is included in single circuit and multiple circuit 1.
- If non-standard fuse size is specified, use next size larger fuse size.
- J Voltage (230V) single phase air handler is designed to be used with single or three phase 230 volt electric heaters. In the case of connecting 3-phase power to the air handler terminal block without the heater, bring only two leads to the terminal block. Cap, insulate and fully secure the third lead.
- If the kit is listed under both single and multiple circuits, the kit is shipped from factory as multiple circuits. For single phase application, Jumper bar kit RXBJ-A21 and RXBJ-A31 can be used to convert multiple circuits to a single supply circuit. Refer to Accessory Section for details.
- The airflow for continuous fan is set 50% of the cooling airflow.
- ?Heater kits connection type. A=Breaker B=Terminal Block C=Disconnect Pull Out

[ ] Designates Metric Conversions

## Electrical Data – With Electric Heat FH\*\*ELV (Cont.)

Installation of the U.L. Listed original equipment manufacturer provided heater kits listed in the following table is recommended for all auxiliary heating requirements.

Air Handler Model FH**ELV	Heater Kit Model	Heater kW	PH/HZ	No. Elements kW Per Element	Circuit	Circuit Amps.	Motor Ampacity	Minimum Circuit Ampacity	Maximum Circuit Protection
2421****M	RXBH-1724?05J	3.6/4.8	1/60	1 - 4.8	SINGLE	17.3/20	1.7	24/28	25/30
	RXBH-1724?07J	5.4/7.2	1/60	2 - 3.6	SINGLE	26/30	1.7	35/40	35/40
	RXBH-1724?10J	7.2/9.6	1/60	2 - 4.8	SINGLE	34.6/40	1.7	46/53	50/60
	RXBH-1724A10C	7.2/9.6	3/60	3 - 3.2	SINGLE	20/23.1	1.7	28/32	30/35
	RXBH-1724A13J	9.4/12.5	1/60	3 - 4.17	SINGLE	45.1/52.1	1.7	59/68	60/70
	RXBH-1724A13J	3.1/4.2	1/60	1 - 4.17	MULTIPLE CKT 1	15/17.4	1.7	21/24	25/25
	RXBH-1724A13J	6.3/8.3	1/60	2 - 4.17	MULTIPLE CKT 2	30.1/34.7	0	38/44	40/45
3617	RXBH-17?03J	2.2/3	1/60	1 - 3	SINGLE	10.8/12.5	3.4	18/20	20/20
	RXBH-1724?05J	3.6/4.8	1/60	1 - 4.8	SINGLE	17.3/20	3.4	26/30	30/30
	RXBH-1724?07J	5.4/7.2	1/60	2 - 3.6	SINGLE	26/30	3.4	37/42	40/45
	RXBH-1724?10J	7.2/9.6	1/60	2 - 4.8	SINGLE	34.6/40	3.4	48/55	50/60
	RXBH-1724A10C	7.2/9.6	3/60	3 - 3.2	SINGLE	20/23.1	3.4	30/34	30/35
	RXBH-1724A13J	9.4/12.5	1/60	3 - 4.17	SINGLE	45.1/52.1	3.4	61/70	70/70
	RXBH-1724A13J	3.1/4.2	1/60	1 - 4.17	MULTIPLE CKT 1	15/17.4	3.4	24/26	25/30
	RXBH-1724A13J	6.3/8.3	1/60	2 - 4.17	MULTIPLE CKT 2	30.1/34.7	0	38/44	40/45
	RXBH-1724A15C	10.8/14.4	3/60	3 - 4.8	SINGLE	30/34.6	3.4	42/48	45/50
	RXBH-1724A15J	10.8/14.4	1/60	3 - 4.8	SINGLE	51.9/60	3.4	70/80	70/80
	RXBH-1724A15J	3.6/4.8	1/60	1 - 4.8	MULTIPLE CKT 1	17.3/20	3.4	26/30	30/30
	RXBH-1724A15J	7.2/9.6	1/60	2 - 4.8	MULTIPLE CKT 2	34.6/40	0	44/50	45/50
	RXBH-1724A18J	12.8/17	1/60	3 - 5.67	SINGLE	61.6/70.8	3.4	82/93	90/100
	RXBH-1724A18J	4.3/5.7	1/60	1 - 5.67	MULTIPLE CKT 1	20.5/23.6	3.4	30/34	30/35
	RXBH-1724A18J	8.5/11.3	1/60	2 - 5.67	MULTIPLE CKT 2	41.1/47.2	0	52/60	60/60

**NOTES:**

- \* Values only. No single point kit available.
- Electric heater BTUH - (heater watts + motor watts) x 3.414 (see airflow table for motor watts.)
- Supply circuit protective devices may be fuses or "HACR" type circuit breakers.
- Largest motor load is included in single circuit and multiple circuit 1.
- If non-standard fuse size is specified, use next size larger fuse size.
- J Voltage (230V) single phase air handler is designed to be used with single or three phase 230 volt electric heaters. In the case of connecting 3-phase power to the air handler terminal block without the heater, bring only two leads to the terminal block. Cap, insulate and fully secure the third lead.
- If the kit is listed under both single and multiple circuits, the kit is shipped from factory as multiple circuits. For single phase application, Jumper bar kit RXBJ-A21 and RXBJ-A31 can be used to convert multiple circuits to a single supply circuit. Refer to Accessory Section for details.
- The airflow for continuous fan is set 50% of the cooling airflow.
- ?Heater kits connection type. A=Breaker B=Terminal Block C=Disconnect Pull Out

[ ] Designates Metric Conversions



## Electrical Data – With Electric Heat FH\*\*ELV (Cont.)

Installation of the U.L. Listed original equipment manufacturer provided heater kits listed in the following table is recommended for all auxiliary heating requirements.

Air Handler Model FH**ELV	Heater Kit Model	Heater kW	PH/HZ	No. Elements kW Per Element	Circuit	Circuit Amps.	Motor Ampacity	Minimum Circuit Ampacity	Maximum Circuit Protection
6021	RXBH-1724?05J	3.6/4.8	1/60	1 - 4.8	SINGLE	17.3/20	4.9	28/32	30/35
	RXBH-1724?07J	5.4/7.2	1/60	2 - 3.6	SINGLE	26/30	4.9	39/44	40/45
	RXBH-1724?10J	7.2/9.6	1/60	2 - 4.8	SINGLE	34.6/40	4.9	50/57	50/60
	RXBH-1724A10C	7.2/9.6	3/60	3 - 3.2	SINGLE	20/23.1	4.9	32/35	35/35
	RXBH-1724A15C	10.8/14.4	3/60	3 - 4.8	SINGLE	30/34.6	4.9	44/50	45/50
	RXBH-1724A15J	10.8/14.4	1/60	3 - 4.8	SINGLE	51.9/60	4.9	72/82	80/90
	RXBH-1724A15J	3.6/4.8	1/60	1 - 4.8	MULTIPLE CKT 1	17.3/20	4.9	28/32	30/35
	RXBH-1724A15J	7.2/9.6	1/60	2 - 4.8	MULTIPLE CKT 2	34.6/40	0	44/50	45/50
	RXBH-1724A18J	12.8/17	1/60	3 - 5.67	SINGLE	61.6/70.8	4.9	84/95	90/100
	RXBH-1724A18J	4.3/5.7	1/60	1 - 5.67	MULTIPLE CKT 1	20.5/23.6	4.9	32/36	35/40
	RXBH-1724A18J	8.5/11.3	1/60	2 - 5.67	MULTIPLE CKT 2	41.1/47.2	0	52/60	60/60
	RXBH-24A20C	14.4/19.2	3/60	6 - 3.2	SINGLE	40/46.2	4.9	57/64	60/70
	RXBH-24A20C	7.2/9.6	3/60	3 - 3.2	MULTIPLE CKT 1	20/23.1	4.9	32/35	35/35
	RXBH-24A20C	7.2/9.6	3/60	3 - 3.2	MULTIPLE CKT 2	20/23.1	0	25/29	25/30
	RXBH-24A20J	14.4/19.2	1/60	4 - 4.8	SINGLE	69.2/80	4.9	93/107	100/110
	RXBH-24A20J	7.2/9.6	1/60	2 - 4.8	MULTIPLE CKT 1	34.6/40	4.9	50/57	50/60
	RXBH-24A20J	7.2/9.6	1/60	2 - 4.8	MULTIPLE CKT 2	34.6/40	0	44/50	45/50
	RXBH-24A25C	18/24	3/60	6 - 4	SINGLE	50/57.8	4.9	69/79	70/80
	RXBH-24A25C	9/12	3/60	3 - 4	MULTIPLE CKT 1	25/28.9	4.9	38/43	40/45
	RXBH-24A25C	9/12	3/60	3 - 4	MULTIPLE CKT 2	25/28.9	0	32/37	35/40
	RXBH-24A25J	18/24	1/60	6 - 4	SINGLE	86.4/99.9	4.9	115/132	125/150
	RXBH-24A25J	6/8	1/60	2 - 4	MULTIPLE CKT 1	28.8/33.3	4.9	43/48	45/50
	RXBH-24A25J	6/8	1/60	2 - 4	MULTIPLE CKT 2	28.8/33.3	0	37/42	40/45
RXBH-24A25J	6/8	1/60	2 - 4	MULTIPLE CKT 3	28.8/33.3	0	37/42	40/45	

**NOTES:**

- \* Values only. No single point kit available.
- Electric heater BTUH - (heater watts + motor watts) x 3.414 (see airflow table for motor watts.)
- Supply circuit protective devices may be fuses or "HACR" type circuit breakers.
- Largest motor load is included in single circuit and multiple circuit 1.
- If non-standard fuse size is specified, use next size larger fuse size.
- J Voltage (230V) single phase air handler is designed to be used with single or three phase 230 volt electric heaters. In the case of connecting 3-phase power to the air handler terminal block without the heater, bring only two leads to the terminal block. Cap, insulate and fully secure the third lead.
- If the kit is listed under both single and multiple circuits, the kit is shipped from factory as multiple circuits. For single phase application, Jumper bar kit RXBJ-A21 and RXBJ-A31 can be used to convert multiple circuits to a single supply circuit. Refer to Accessory Section for details.
- The airflow for continuous fan is set 50% of the cooling airflow.
- ?Heater kits connection type. A=Breaker B=Terminal Block C=Disconnect Pull Out

[ ] Designates Metric Conversions

## Electrical Data – With Electric Heat FH\*\*ELV (Cont.)

Installation of the U.L. Listed original equipment manufacturer provided heater kits listed in the following table is recommended for all auxiliary heating requirements.

Air Handler Model FH**ELV	Heater Kit Model	Heater kW	PH/HZ	No. Elements kW Per Element	Circuit	Circuit Amps.	Motor Ampacity	Minimum Circuit Ampacity	Maximum Circuit Protection
6024	RXBH-1724?05J	3.6/4.8	1/60	1 - 4.8	SINGLE	17.3/20	4.9	28/32	30/35
	RXBH-1724?07J	5.4/7.2	1/60	2 - 3.6	SINGLE	26/30	4.9	39/44	40/45
	RXBH-1724?10J	7.2/9.6	1/60	2 - 4.8	SINGLE	34.6/40	4.9	50/57	50/60
	RXBH-1724A10C	7.2/9.6	3/60	3 - 3.2	SINGLE	20/23.1	4.9	32/35	35/35
	RXBH-1724A15C	10.8/14.4	3/60	3 - 4.8	SINGLE	30/34.6	4.9	44/50	45/50
	RXBH-1724A15J	10.8/14.4	1/60	3 - 4.8	SINGLE	51.9/60	4.9	72/82	80/90
	RXBH-1724A15J	3.6/4.8	1/60	1 - 4.8	MULTIPLE CKT 1	17.3/20	4.9	28/32	30/35
	RXBH-1724A15J	7.2/9.6	1/60	2 - 4.8	MULTIPLE CKT 2	34.6/40	0	44/50	45/50
	RXBH-1724A18J	12.8/17	1/60	3 - 5.67	SINGLE	61.6/70.8	4.9	84/95	90/100
	RXBH-1724A18J	4.3/5.7	1/60	1 - 5.67	MULTIPLE CKT 1	20.5/23.6	4.9	32/36	35/40
	RXBH-1724A18J	8.5/11.3	1/60	2 - 5.67	MULTIPLE CKT 2	41.1/47.2	0	52/60	60/60
	RXBH-24A20C	14.4/19.2	3/60	6 - 3.2	SINGLE	40/46.2	4.9	57/64	60/70
	RXBH-24A20C	7.2/9.6	3/60	3 - 3.2	MULTIPLE CKT 1	20/23.1	4.9	32/35	35/35
	RXBH-24A20C	7.2/9.6	3/60	3 - 3.2	MULTIPLE CKT 2	20/23.1	0	25/29	25/30
	RXBH-24A20J	14.4/19.2	1/60	4 - 4.8	SINGLE	69.2/80	4.9	93/107	100/110
	RXBH-24A20J	7.2/9.6	1/60	2 - 4.8	MULTIPLE CKT 1	34.6/40	4.9	50/57	50/60
	RXBH-24A20J	7.2/9.6	1/60	2 - 4.8	MULTIPLE CKT 2	34.6/40	0	44/50	45/50
	RXBH-24A25C	18/24	3/60	6 - 4	SINGLE	50/57.8	4.9	69/79	70/80
	RXBH-24A25C	9/12	3/60	3 - 4	MULTIPLE CKT 1	25/28.9	4.9	38/43	40/45
	RXBH-24A25C	9/12	3/60	3 - 4	MULTIPLE CKT 2	25/28.9	0	32/37	35/40
	RXBH-24A25J	18/24	1/60	6 - 4	SINGLE	86.4/99.9	4.9	115/132	125/150
	RXBH-24A25J	6/8	1/60	2 - 4	MULTIPLE CKT 1	28.8/33.3	4.9	43/48	45/50
	RXBH-24A25J	6/8	1/60	2 - 4	MULTIPLE CKT 2	28.8/33.3	0	37/42	40/45
	RXBH-24A25J	6/8	1/60	2 - 4	MULTIPLE CKT 3	28.8/33.3	0	37/42	40/45
	RXBH-24A30C	21.6/28.8	3/60	6 - 4.8	SINGLE	60/69.4	4.9	82/93	90/100
	RXBH-24A30C	10.8/14.4	3/60	3 - 4.8	MULTIPLE CKT 1	30/34.7	4.9	44/50	45/50
	RXBH-24A30C	10.8/14.4	3/60	3 - 4.8	MULTIPLE CKT 2	30/34.7	0	38/44	40/45
	RXBH-24A30J	21.6/28.8	1/60	6 - 4.8	SINGLE	103.8/120	4.9	136/157	150/175
	RXBH-24A30J	7.2/9.6	1/60	2 - 4.8	MULTIPLE CKT 1	34.6/40	4.9	50/57	50/60
	RXBH-24A30J	7.2/9.6	1/60	2 - 4.8	MULTIPLE CKT 2	34.6/40	0	44/50	45/50
RXBH-24A30J	7.2/9.6	1/60	2 - 4.8	MULTIPLE CKT 3	34.6/40	0	44/50	45/50	

**NOTES:**

- \* Values only. No single point kit available.
- Electric heater BTUH - (heater watts + motor watts) x 3.414 (see airflow table for motor watts.)
- Supply circuit protective devices may be fuses or "HACR" type circuit breakers.
- Largest motor load is included in single circuit and multiple circuit 1.
- If non-standard fuse size is specified, use next size larger fuse size.
- J Voltage (230V) single phase air handler is designed to be used with single or three phase 230 volt electric heaters. In the case of connecting 3-phase power to the air handler terminal block without the heater, bring only two leads to the terminal block. Cap, insulate and fully secure the third lead.
- If the kit is listed under both single and multiple circuits, the kit is shipped from factory as multiple circuits. For single phase application, Jumper bar kit RXBJ-A21 and RXBJ-A31 can be used to convert multiple circuits to a single supply circuit. Refer to Accessory Section for details.
- The airflow for continuous fan is set 50% of the cooling airflow.
- ?Heater kits connection type. A=Breaker B=Terminal Block C=Disconnect Pull Out

[ ] Designates Metric Conversions

## Electrical Wiring

### Power Wiring

- Field wiring must comply with the National Electrical Code (C.E.C. in Canada) and any applicable local ordinance.
- Supply wiring must be 75°C minimum copper conductors only.
- See electrical data for product Ampacity rating and Circuit Protector requirement.

### Accessories

#### • Combustible Floor Base RXHB-

Model Cabinet Size	Combustible Floor Base Model Number
17	RXHB-17
21	RXHB-21
24	RXHB-24

- **Jumper Bar Kit 3 Ckt. to 1 Ckt. RXBJ-A31** is used to convert single phase multiple three circuit units to a single supply circuit. Kit includes cover and screw for line side terminals.
- **Jumper Bar Kit 2 Ckt. to 1 Ckt. RXBJ-A21** is used to convert single phase multiple two circuit units to a single supply circuit. Kit includes cover and screw for line side terminals.
- **Note:** No jumper bar kit is available to convert three phase multiple two circuit units to a single supply circuit.

#### • Auxiliary Horizontal Overflow Pan Accessory RXBM-

Nominal Cooling Capacity-Tons	Auxiliary Horizontal Overflow Pan Accessory Model Number
2 - 3	RXBM-AC48
4 - 5	RXBM-AC61

#### • Supply and Return Air Sensor Kit RXHT-A02

The RXHT-A02 Thermistor Kit is to be used with the air handler control to monitor the system return and leaving air temperatures. These temperatures can be monitored with the EcoNet communicating thermostat.

### Grounding

- This product must be sufficiently grounded in accordance with National Electrical Code (C.E.C. in Canada) and any applicable local ordinance.
- A grounding lug is provided.

#### • Auxiliary Electric Heater Kits RXBH-

Heater Kits include circuit breakers which meet UL and cUL requirements for service disconnect. See the Electric Heat Electrical Data in this specification sheet for specific Heater Kit Model numbers.

#### • External Filter Base RXHF-

Model Cabinet Size	Filter Size In. [mm]	Part Number*	A	B
21	20 x 20 [508 x 508]	RXHF-21	19.20	21.0
24	25 x 20 [635 x 508]	RXHF-24	22.70	25.5

\*Accommodates 1" or 2" filter

#### • Horizontal Adapter Kit RXHH-

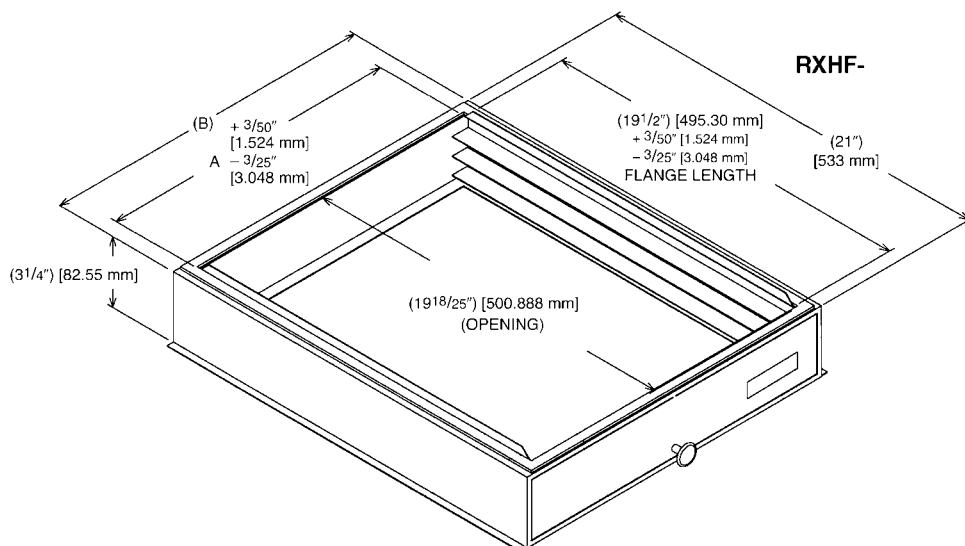
This horizontal adapter kit is used to convert Upflow/Downflow only models to horizontal flow. See the following table to order proper horizontal adapter kit.

Coil Model	Horizontal Adapter Kit Model Number (Single Qty.)	Horizontal Adapter Kit Model Number (10-Pack Qty.)
2414	RXHH-A01	RXHH-A01 x 10
2417	RXHH-A02	RXHH-A02 x 10
2421/3617/3621	RXHH-A03	RXHH-A03 x 10
4821/4824/6021	RXHH-A06	RXHH-A06 x 10
6024	RXHH-A05	RXHH-A05 x 10

#### • External Filter Base RXHF-

Model Cabinet Size	Filter Size In. [mm]	Part Number*	A	B
17	16 x 20 [406 x 508]	RXHF-17	15.70	17.5
21	20 x 20 [508 x 508]	RXHF-21	19.20	21.0
24	25 x 20 [635 x 508]	RXHF-24	22.70	25.5

\*Accommodates 1" or 2" filter



[ ] Designates Metric Conversions

**GENERAL TERMS OF LIMITED WARRANTY\***

*Fujitsu General America, Inc.* will furnish a replacement for any part of this product which fails in normal use and service within the applicable periods stated, in accordance with the terms of the limited warranty.

Parts .....Ten (10) Years

**\*For complete details of the Limited and Conditional Warranties, including applicable terms and conditions, contact your local contractor or the Manufacturer for a copy of the product warranty certificate.**







---

**Before proceeding with installation, refer to installation instructions packaged with each model, as well as complying with all Federal, State, Provincial, and Local codes, regulations, and practices.**

---

*"In keeping with its policy of continuous progress and product improvement, the right is reserved to make changes without notice."*