

**Compact Cassette (4000 BTU) Indoor Unit
For Heat-recovery/Heat-pump Airstage VRF System**

Job Name _____
 Location _____
 Engineer _____
 Submitted To _____
 Submitted By _____
 Reference _____

Date _____
 Approval _____
 Construction _____
 Unit No _____
 Drawing No _____

FEATURES

- Compatible with 2-wire remotes only
- Quiet 3 speed fan
- Built-in high-lift drain pump
- Built-in IR Receiver
- Compatible with 2-wire remotes only
- Grille includes built-in modulating louvers
- Grille must be ordered separately (UTG-CCGVG)
- Auxiliary heat operation capability
- 10 year Extended Warranty on parts and compressor. See Warranty Statement.



PIPING ACCESSORIES

UTP-AX090A	Separation Tube - 2-Pipe - 90 MBH or Less
UTP-AX180A	Separation Tube - 2-Pipe - 91 to 180 MBH
UTP-AX567A	Separation Tube - 2-Pipe - 180 MBH or More

CONTROLLER

UTY-RNRUZ2	Individual Touch Panel Controller (Wired Remote)
UTY-RSRY	Simple Remote (WITH Master Control) 2-Wire
UTY-RHRY	Simple Remote (WITHOUT Master Control) 2-Wire

UTY-DCGY	Central Remote Controller (100 units)
UTY-DTGYZ1	Touch Panel Controller with Internet (400 units)

ACCESSORIES

#N/A	#N/A
UTR-YDZB	Air Outlet Shutter Plate for Compact Cassette
UTZ-KXGC	Insulation Kit for High Humidity for Compact Cassette
UTY-XSZX	Remote Sensor for ducted units

WEIGHT AND DIMENSIONS

Enclosure - Net Weight - lbs [kg]	32 [14.5]
Enclosure - Gross Weight - lbs [kg]	40 [18]
Dimensions - Net (H x W x D) - in [mm]	9-5/8 x 22-7/16 x 22-7/16 [245 x 570 x 570]
Dimensions - Gross (H x W x D) - in [mm]	10-7/16 x 28-3/4 x 24-5/8 [265 x 730 x 625]
Grille Weight Net - lbs [kg]	6 [2.6]
Grille Weight Gross - lbs [kg]	10 [4.5]
Grille Dimensions Net (H x W x D) - in [mm]	1-15/16 x 24 7/16 x 24 7/16 [50 x 620 x 620]
Grille Dimensions Gross (H x W x D) - in [mm]	5 x 30 x 30 [127 x 762 x 762]

CAPACITY

Capacity - Cooling - Btu/h [kW]	4,000 [1.2]
Capacity - Heating - Btu/h [kW]	4,400 [1.3]

ELECTRICAL

Power Source	208 / 230V, 1-Phase, 60Hz
Available Voltage Range - VAC	187 to 253
Input Power - W	23
Full Load Amps - FLA - A	0.23
Max Circuit Breaker - A	15
Minimum Circuit Ampacity - MCA - A	0.29

FAN

Fan Type	Turbo
Airflow Rate - High - CFM [m³/h]	312 (530)
Airflow Rate - Medium - CFM [m³/h]	265 (450)
Airflow Rate - Low - CFM [m³/h]	206 (350)

SOUND PRESSURE

Sound Pressure Level - dB(A)	25/30/34
------------------------------	----------

WIRING

Communication Cable	LonWorks (Fujitsu Pink Cable. See AE Bulletin 009)
---------------------	--

PIPING

Connection Pipe Diameter - Liquid (Flare) - in [mm]	ø 1/4 [6.35]
Connection Pipe Diameter - Gas (Flare) - in [mm]	ø 1/2 [12.70]
Connection Pipe Diameter - Drain (ID; OD) - in [mm]	ø 3/4 [19]
Drain-Pump	Built-in
Drain-Pump Lift - in [mm]	27 9/16 [700]

ETL

E.T.L.	3170288
--------	---------

TEMPERATURE RANGES

Operating Temp. Cooling (DB) - °F [°C]	64 to 88 [18 to 31]
Operating Temp. Heating (DB) - °F [°C]	50 to 88 [10 to 31]

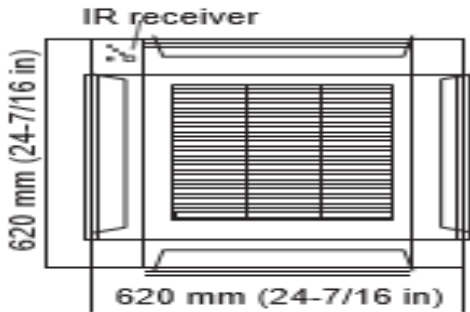
Note: Specifications are based on the following conditions:
 Cooling: Indoor temperature of 80°F (26.7°C) DB/67°F (19.4°C) WB, and outdoor temperature of 95°F (35°C) DB/75°F (23.9°C) WB. Heating: Indoor temperature of 70°F (21.1°C) DB/60°F (15.6°C) WB, and outdoor temperature of 47°F (8.3°C) DB/43°F (6.1°C) WB. Pipe length: 25ft. (7.5m), Height difference: 0ft. (0m) (Outdoor unit - indoor unit).



DIMENSIONS

Unit: In. (mm)

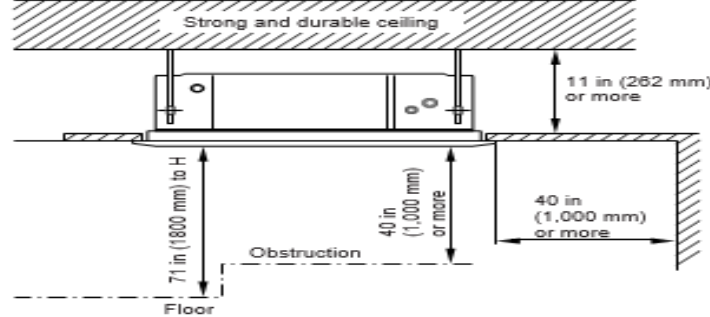
Grid type



UTG-UF*E-W
(IR receiver attached)

UTG-CCGVG
(IR receiver attached)

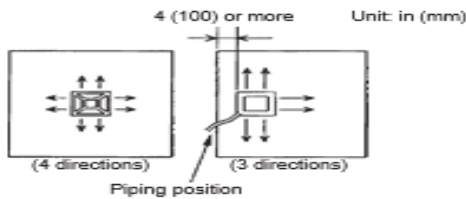
Fig. A



H: Maximum height from floor to ceiling

The discharge direction can be selected as shown below.

Fig. B



- * Select the most appropriate airflow direction from 3 or 4 directions according to the shape of the room and the installation position.
- * When changing the number of outlets, we recommend using the optional AIR OUTLET SHUTTER PLATE KIT to close the outlet.

* For the specific closing pattern, please refer to the attached AIR OUTLET SHUTTER PLATE KIT'S MANUAL. (Do so before installing the cassette grille as it will be installed on the body.)

Fig. C

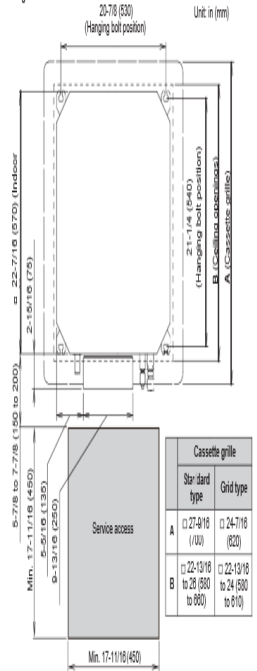


Fig. D

