

ERV PRODUCT SHEET: VS250 CMe

for Installation Above Drop Ceilings



Ultra-Efficient & Intelligent Energy Recovery Ventilators (ERV) Ventacity's VS Line of ERVs are dedicated outside air systems (DOAS), offering:



Exceptional energy performance thanks to its aluminum counterflow heat exchanging core



Significant cost of operation savings



Quiet operation with fans that use electronically commutated motors (ECM) and backward curving fan blades

A part of the **HVAC²**
Next Generation Building™

Our ventilation equipment connects seamlessly to our building controls and cloud-based user interface to take HVAC systems to the next level of energy efficiency and control. We call this new system HVAC².



> VS250 CMe

Ventacity's VS-CM Series helps building owners and HVAC contractors working on multi-level building projects reduce heating and cooling installation and operating costs while improving energy efficiency, health and comfort. Unlike other ventilation products, the Ventacity VS-CM Series operates at much higher energy efficiency (up to 85.7%) which saves much more energy and significantly lowers operating costs. With

improved energy efficiency, building owners and occupants can afford to operate ventilation continuously, which improves air quality, and occupant health and comfort. When connected to the optional SBC100 Smarter Building Controller, the VS-CM Series ventilators are able to be monitored and controlled from anywhere via any Internet connected device, making them the easiest ventilation products to manage and operate.

> SPECIFICATIONS

Flow Rate	60 - 270 cfm / 201 - 459 m ³ /h
Max External Static Pressure	2" W.C. / 498 Pa
Ventilation Type	Energy Recovery Ventilator (ERV)
Heat Exchanger	Counterflow Polymer Static Plate
Fan Type	Backward Curved, Centrifugal, EC
Exchanger Efficiency (AHRI 1060) Max	Sensible – 85.7% Latent – 75.9% Total – 82.3%
Outdoor Temp. Conditions	-22° to 104° F
Ambient Temp. Conditions	41° to 104° F
Max Return Air Humidity	90%
Insulation & Thermal Conductivity	2" Foam @ 0.042 W/mK 0.024 BTU/(hr ft °F)
Nominal Duct Connection	10" x 6" / Diameter 8"
Operation Modes	CAV, DCV, VAV, BMS, Economizer
Certifications	TUV SUD: (UL 1812, CSA 22.2 No. 113) Pending Passive House: Pending FCC: Class A

> MECHANICAL

Weight	159 lbs
Shipping Weight	204 lbs
Dimensions	30.7" L x 12.2" H x 46.9" W
Shipping Dimensions	39" L x 18" H x 59" W
OA Filter Dimensions	11.25" L x 9.25" W x 3.75" D Filter Class: MERV13
RA Filter Dimensions	11.25" L x 9.25" W x 3.75" D Filter Class: MERV9

> ELECTRICAL

	*Preheater	Inactive	Inactive	Active	Active
Voltage	240 VAC	208 VAC	240 VAC	208 VAC	208 VAC
Phase	1Φ	1Φ	1Φ	1Φ	1Φ
Power Supply	270 W	270 W	1.78 kW	1.41 kW	1.41 kW
FLA – Max	1.1 A	1.3 A	7.4 A	6.8 A	6.8 A
MCA	1.2 A	1.4 A	9 A	8.2 A	8.2 A
MOP	5 A	5 A	10 A	10 A	10 A
De-Ice Preheater	-	-	1.51 kW	1.14 kW	1.14 kW
Preheater Temp Rise	-	-	11.3° C	8.5° C	8.5° C
Max Power per Fan	125 W (0.17 hp)				

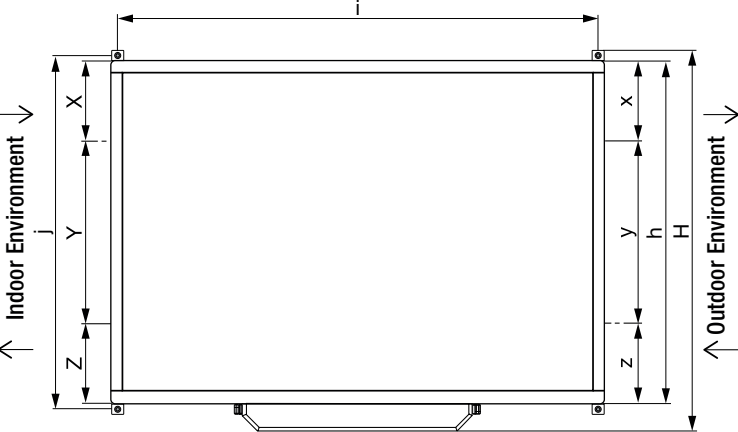
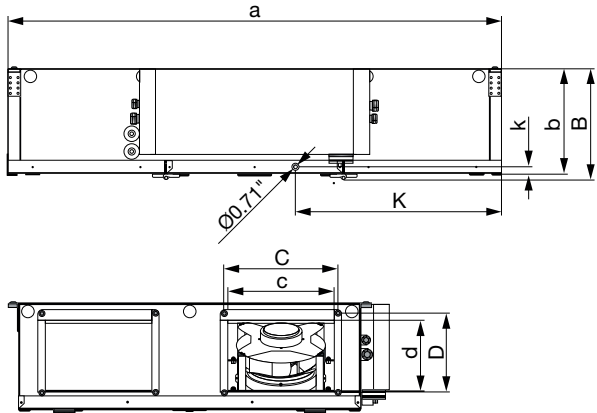
*Preheater recommended for below-freezing outdoor temperatures.

> OPTIONAL ACCESSORIES**

- External Outside Air & Exhaust Air Damper Modules
- External DX or WCO Postheater Modules
- Internally Mounted or Room Mounted CO₂ Sensor
- External Condensate Pump
- External Condensate Ball Siphon
- SBC100 Smarter Building Controller

**All optional accessories are field installed.

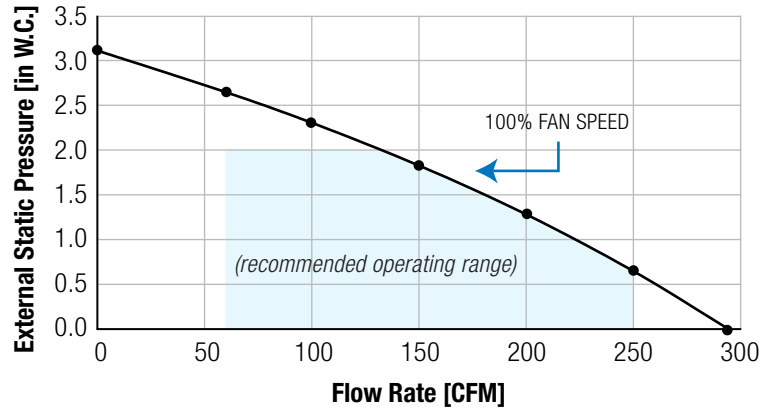
> DIMENSIONS (IN.)



H 30.71	b 11.81	k 0.83	D 6.85	y 13.07
h 26.38	i 44.09	c 9.84	X 6.54	Z 6.54
a 46.85	j 27.56	d 5.91	x 6.54	z 6.54
B 12.20	K 19.09	C 10.79	Y 13.07	

> FAN OPERATING RANGE

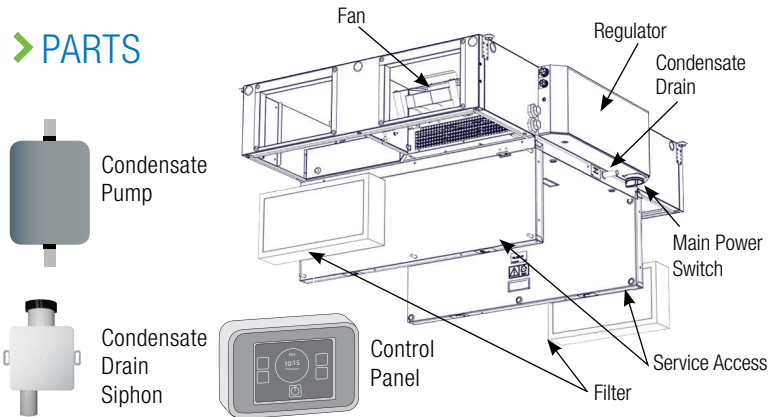
60 – 250 CFM
0 – 2.0" W.C. ESP



> FAN VOLUME & POWER RANGE

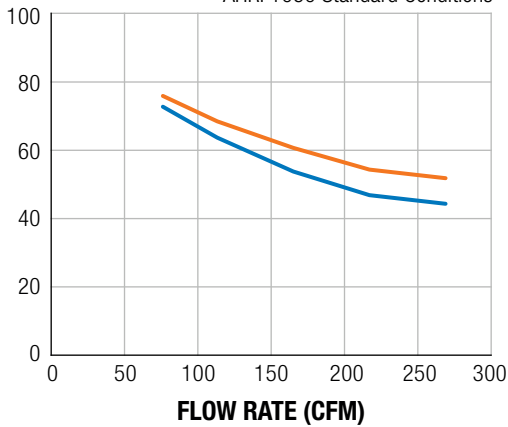
Ext. Static Pressure (in. W.C.)	0.67	1.30	1.85	2.33	2.67
Maximum Flow (CFM)	250	200	150	100	60
System Power (Watts)	245	253	253	244	229

> PARTS



> LATENT EFFICIENCY

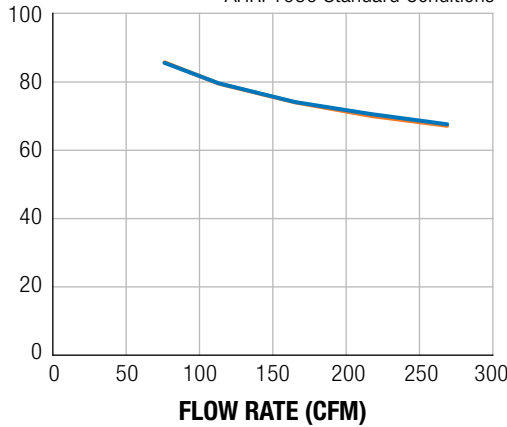
AHRI 1060 Standard Conditions



— Heating Mode — Cooling Mode

> SENSIBLE EFFICIENCY

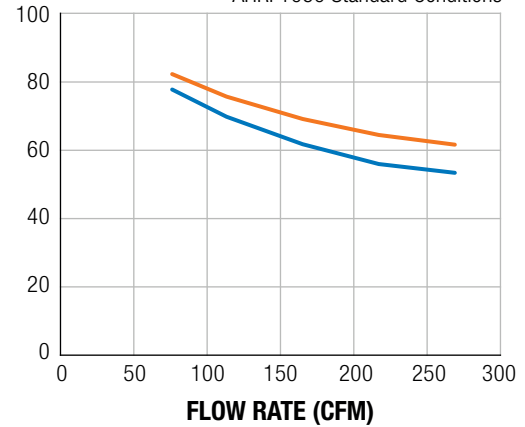
AHRI 1060 Standard Conditions



— Heating Mode — Cooling Mode

> TOTAL EFFICIENCY

AHRI 1060 Standard Conditions



— Heating Mode — Cooling Mode